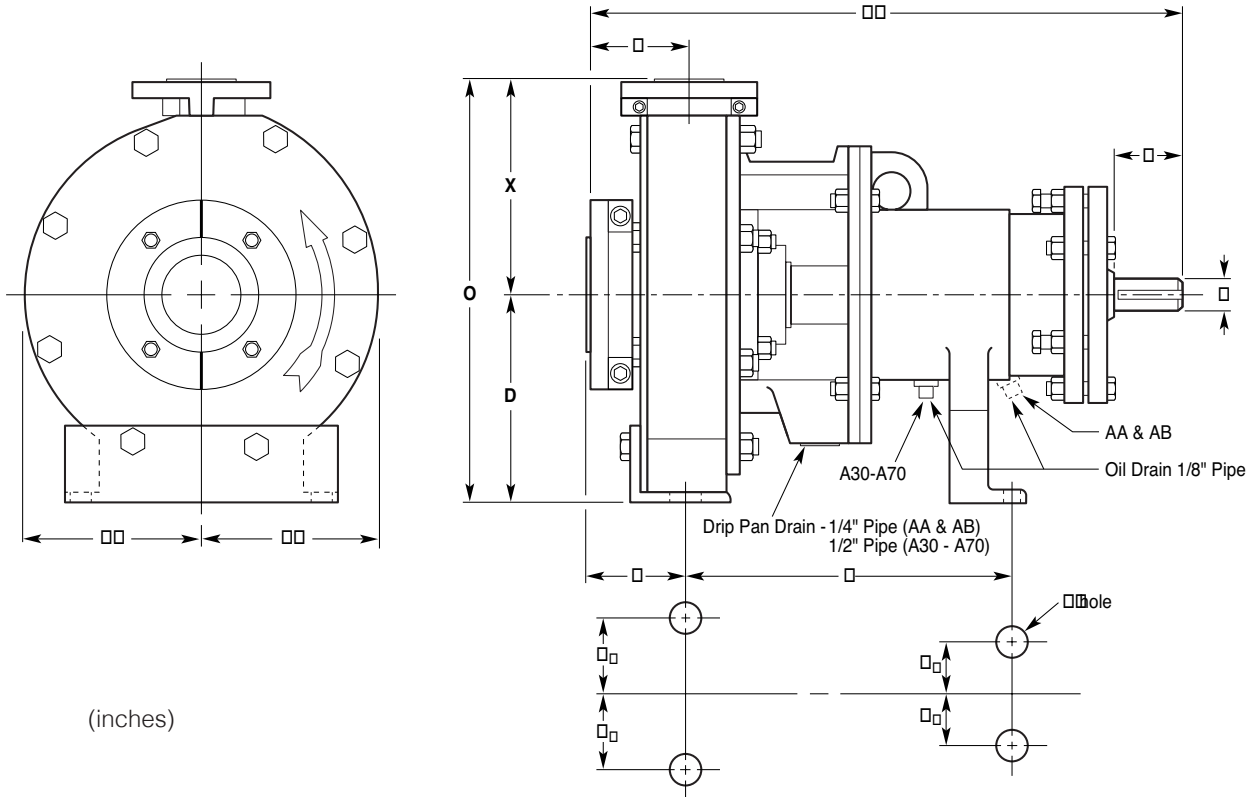


Pump Dimensions

Carbon-Filled Kynar 370



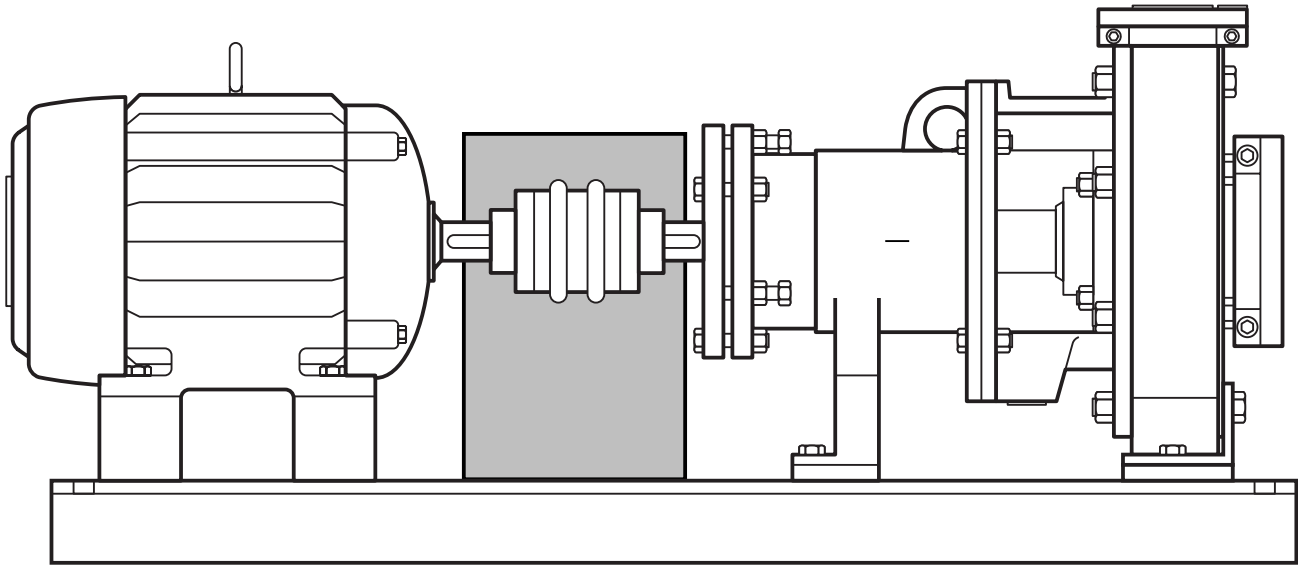
Pump Designation	Pump Size	Weight (lbs)	CP	D	2E ₁	2E ₂	F	H	L	Y	V (min)
PST-AA	1-1/2 x 1 x 6	115	17-1/2	5-1/4	6	0	7-1/4	5/8	4	4	2
PST-AB	3 x 1-1/2 x 6	120	17-1/2	5-1/4	6	0	7-1/4	5/8	4	4	2
PST-A30	3 x 2 x 12	270	23-1/2	10	9-3/4	7-1/4	12-1/2	5/8	4	4	2-5/8
PST-A40	4 x 3 x 12	280	23-1/2	10	9-3/4	7-1/4	12-1/2	5/8	4	4	2-5/8
PST-A50	3 x 1-1/2 x 9	200*	23-1/2	8-1/4	9-3/4	7-1/4	12-1/2	5/8	4	4	2-5/8
PST-A60	3 x 2 x 9	210*	23-1/2	8-1/4	9-3/4	7-1/4	12-1/2	5/8	4	4	2-5/8
PST-A70	4 x 3 x 9	220*	23-1/2	8-1/4	9-3/4	7-1/4	12-1/2	5/8	4	4	2-5/8

* Weights listed are M versions; add 20 pounds for L versions.

Pump Designation	U		O	AA	AB	X	F + L	Impeller (max)	Diameter (min)
	Diameter	Keyway							
AA	7/8	3/16 x 3/32	11-3/4	5-1/4	5-1/4	6-1/2	11-1/4	6	4
AB	7/8	3/16 x 3/32	11-3/4	5-1/4	5-1/4	6-1/2	11-1/4	6	4
A30	1-1/8	1/4 x 1/8	21-1/2	9-1/4	9-1/4	11-1/2	16-1/2	12	8
A40	1-1/8	1/4 x 1/8	22-1/2	9-1/2	9-1/2	12-1/2	16-1/2	12	8
A50	1-1/8	1/4 x 1/8	16-3/4	7-1/4	7-1/4	8-1/2	16-1/2	9	6
A60	1-1/8	1/4 x 1/8	17-3/4	7-3/4	7-3/4	9-1/2	16-1/2	9	6
A70	1-1/8	1/4 x 1/8	19-1/4	8	7-1/2	11	16-1/2	9	6

Pump Dimensions

Pump Overview for Assembly Specifications



Stan-Cor Series pumps are available with all the accessories needed to create a complete pump system illustrated at right. Use the Pump Overview information on the following pages to help select and size the accessories.

Group	Kynar Models	Shaft Ø @ Seal	Shaft Ø @ Coupling	Pump Center Line
1	PST-AA	1-3/8"	7/8"	5-1/4"
	PST-AB	1-3/8"	7/8"	5-1/4"
2	PST-A50M	1-7/8"	1-1/8"	8-1/4"
	PST-A60M	1-7/8"	1-1/8"	8-1/4"
	PST-A70M	1-7/8"	1-1/8"	8-1/4"
	PST-A30	1-7/8"	1-1/8"	10"
	PST-A40	1-7/8"	1-1/8"	10"
3	PST-A50L	2-1/4"	1-1/8"	8-1/4"
	PST-A60L	2-1/4"	1-1/8"	8-1/4"
	PST-A70L	2-1/4"	1-1/8"	8-1/4"



1204 Chestnut Avenue
 Minneapolis, MN 55403 USA
 Phone: 612-332-5681
 Email: sales@wannereng.com
 www.StanCorPump.com