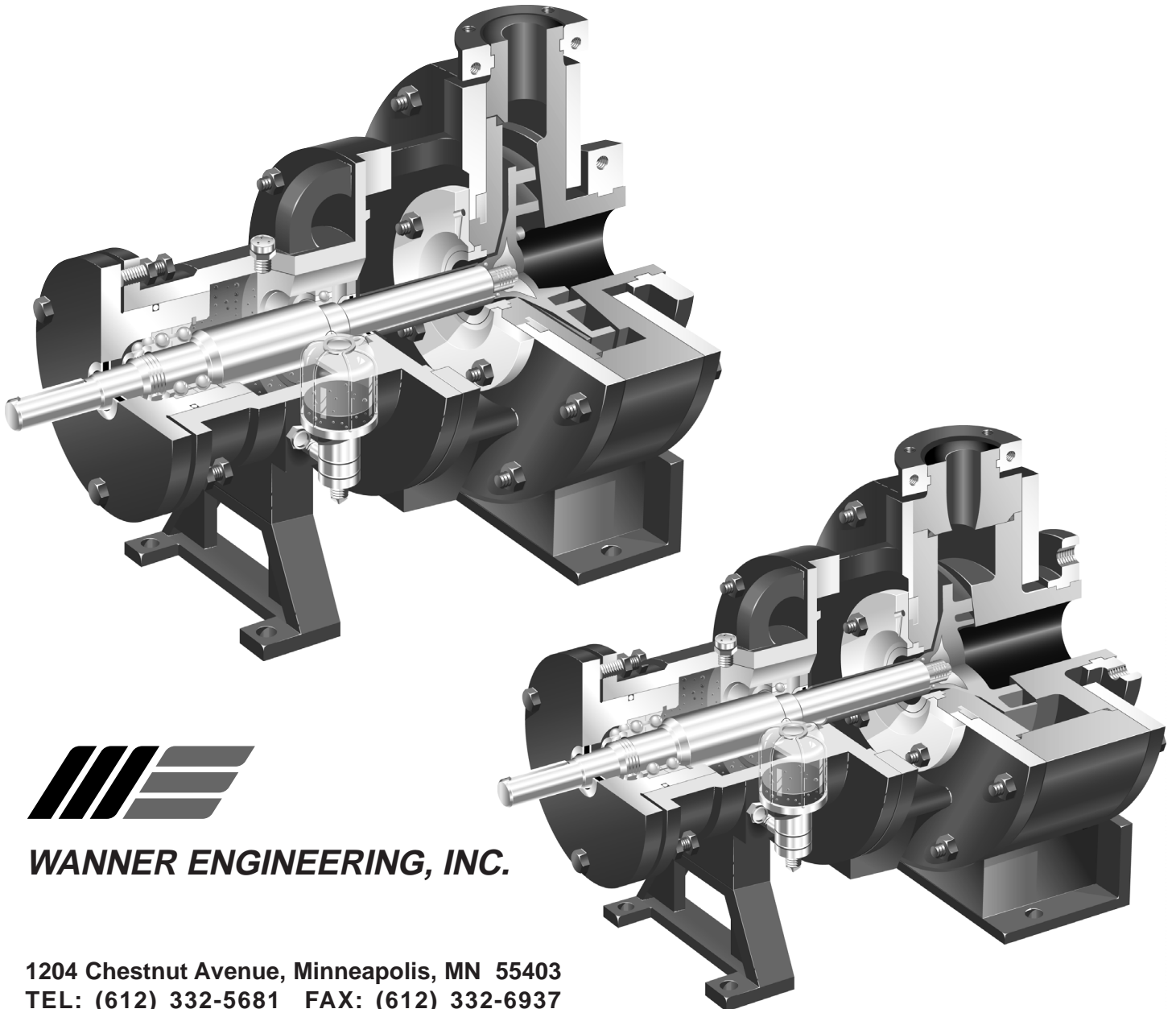


STAN-COR PARTS MANUAL

Kynar and Teflon ANSI Centrifugal Pumps



WANNER ENGINEERING, INC.

1204 Chestnut Avenue, Minneapolis, MN 55403
TEL: (612) 332-5681 FAX: (612) 332-6937
TOLL-FREE FAX [US only]: (800) 332-6812

www.stancorpump.com
email: sales@wannereng.com

STAN-COR

Contents

Kynar Pumps

			Page
Kynar Pump Part Identification			3
Parts List			
Designation	Size	Group	Page
PST-AA	1-1/2 x 1 x 6	1	4
PST-AB	3 x 1-1/2 x 6	1	5
PST-A50M	3 x 1-1/2 x 9	2	6
PST-A50L	3 x 1-1/2 x 9	3	7
PST-A60M	3 x 2 x 9	2	8
PST-A60-MTM	3 x 2 x 9	2	8
PST-A60L	3 x 2 x 9L	3	9
PST-A70M	4 x 3 x 9	2	10
PST-A70L	4 x 3 x 9L	3	11
PST-A30	3 x 2 x 12	2	12
PST-A30-MTM	3 x 2 x 12	2	12
PST-A40	4 x 3 x 12	2	13
PST-A40-MTM	4 x 3 x 12	2	13

Teflon Pumps

			Page
Teflon Pump Part Identification			14
Parts Lists			
Designation	Size	Group	Page
PST-AB-TFE	3 x 1-1/2 x 6	1	15
PST-A50M-TFE	3 x 1-1/2 x 9	2	16
PST-A70M-TFE	4 x 3 x 9	2	17

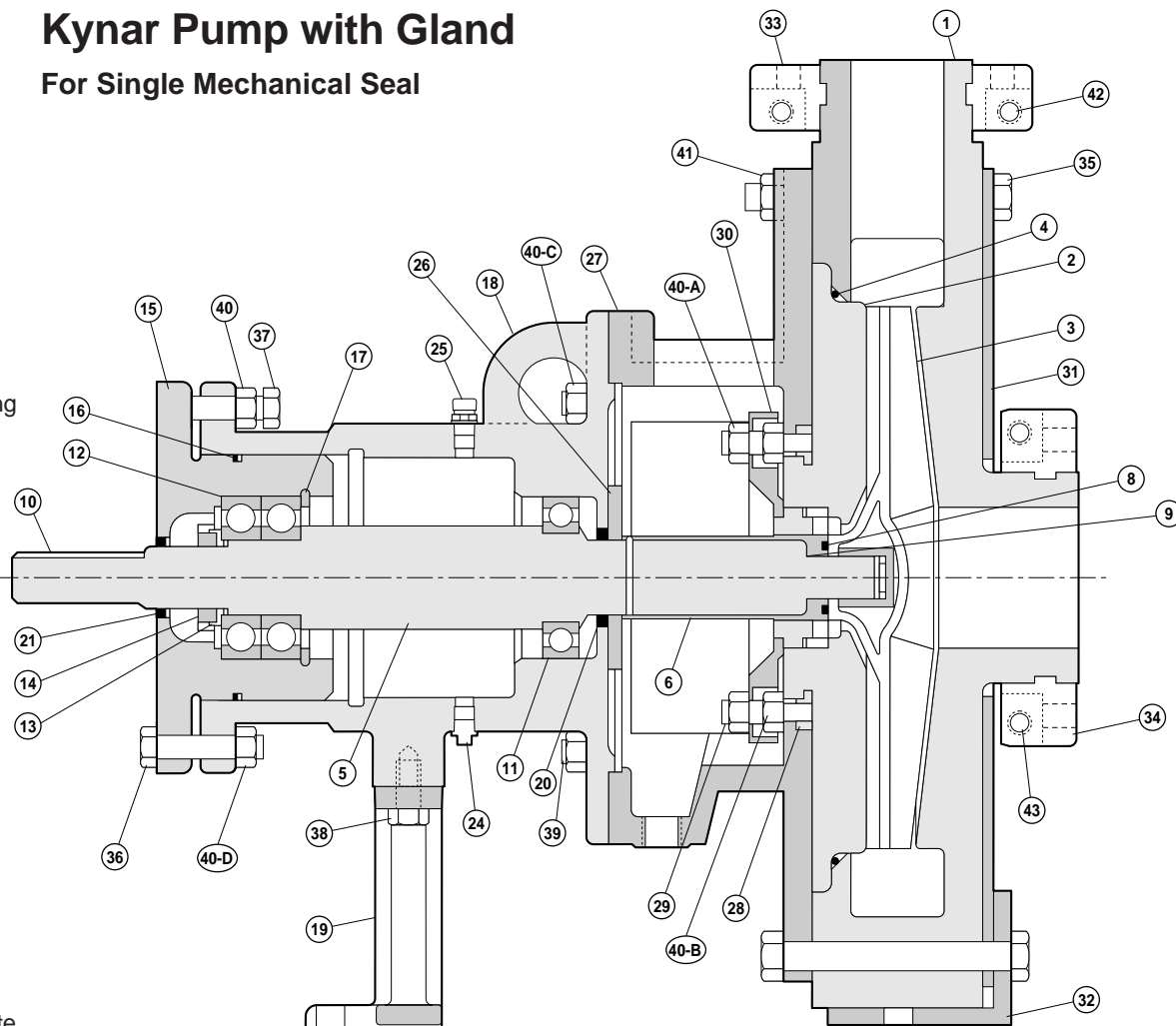


Part Reference Number Identification

KYNAR

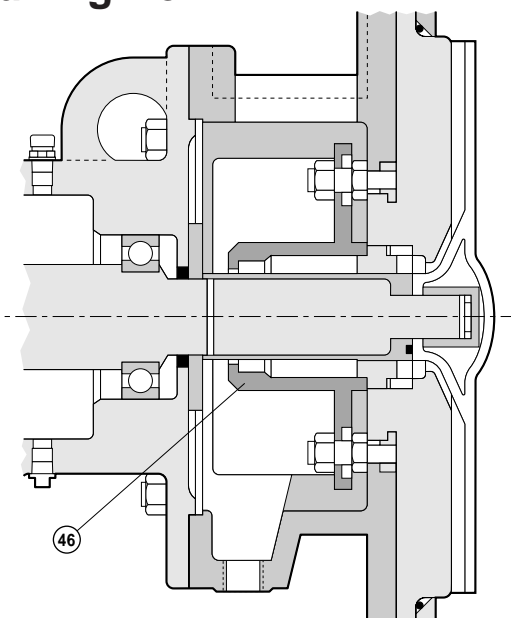
- 1 Casing
- 2 Cover, back
- 3 Impeller
- 4 Seal, casing
- 5 Shaft
- 6 Sleeve, shaft
- 8 O-ring, sleeve
- 9 Pin, sleeve drive
- 10 Key, shaft
- 11 Bearing, inboard
- 12 Bearing, outboard
- 13 Lockwasher, bearing
- 14 Locknut, bearing
- 15 Housing, bearing
- 16 Seal, bearing housing
- 17 Ring, bearing retaining
- 18 Frame
- 19 Support, frame
- 20 Seal, inboard oil
- 21 Seal, outboard oil
 - Gauge, sight oil
 - Oiler assembly
- 24 Plug, pipe
- 25 Breather
- 26 Deflector
- 27 Adaptor
- 28 Plate, mounting
- 29 Stud, mounting plate
- 30 Gland
- 31 Plats, front
- 32 Support, casing
- 33 Flange, split
- 34 Flange, split
- 35 Screw, hex-head cap
- 36 Screw, hex-head cap
- 37 Screw, hex-head cap
- 38 Screw, hex-head cap
- 39 Screw, hex-head cap
- 40 Nut, hex
- 41 Nut, hex
- 42 Screw, socket-head cap
- 43 Screw, socket-head cap
- 46 Stuffing box
 - Not Illustrated

Kynar Pump with Gland For Single Mechanical Seal



Kynar Pump with Stuffing Box For Double Mechanical Seal

(Other parts are the same as above)



Designation : PST-AA**Size: 1-1/2 x 1 x 6****KYNAR****Group 1 Bearing Frame: 1-3/8" @ Seal****Parts List**

Ref #	Part Number	Description	Qty/Pump
1	18442-K1	Casing, Kynar 370	1
2	18441-K1	Cover, back, Kynar 370	1
3	20142-23-K1	Impeller, Kynar 370	1
4	18461-02-72	Seal, casing, Viton	1
	18462-03	Seal, casing, Teflon-covered Viton	1
5	20141-21	Shaft	1
6	19958-K1	Sleeve, shaft, Kynar 370	1
	21209-01-39	Sleeve, shaft, Hastelloy C	1
8	18461-07-72	Seal, sleeve, Viton	1
	18462-03	Seal, sleeve, Teflon-covered Viton	1
9	11171-14	Pin, sleeve drive	1
10	4372-023-21	Key, shaft	1
11	18463-01	Bearing, inboard	1
12	18463-02	Bearing, outboard	2
13	6124-1	Lockwasher, bearing	1
14	6123-1	Locknut, bearing	1
15	18382-01-01	Housing, bearing, cast iron	1
16	18461-04-71	Seal, bearing housing, Buna-N	1
17	18464-01	Ring, bearing retaining	1
18	18425-01-01	Frame, cast iron	1
19	Not required	Support, frame, cast iron	-
20	18465-02	Seal, inboard oil	1
21	18465-01	Seal, outboard oil	1
22	18471	Gauge, sight oil	1
23	8478-6	Oiler assembly	1
24	8505-1	Plug, pipe, 1/8 NPT	1
25	8267-1	Breather	1

Ref #	Part Number	Description	Qty/Pump
26	18422-01-94	Deflector, glass-filled TFE	1
27	18427-01-01	Adaptor, cast iron	1
28	18466-01	Plate, mounting	1
29	3862-72	Stud, mounting plate, 316 SST	4
30	18436-01-4L	Gland, 316L SST	1
	18436-01-39	Gland, Hastelloy C	1
31	18396	Plate, front	1
32	18416-01	Support, casing	1
33	18838-01-01	Flange, split, cast iron	1
34	18839-01-01	Flange, split, cast iron	1
35	3861-093	Screw, hex-head cap, steel	8
	3861-130	Screw, hex-head cap, 316 SST	8
36	3861-090	Screw, hex-head cap	3
37	3861-095	Screw, hex-head cap	3
38	Not required	Screw, hex-head cap	-
39	3861-90	Screw, hex-head cap	4
40	3932-8	Nut, hex	18
41	3932-8	Nut, hex, steel	8
42	3909-004-87	Screw, socket-head cap	2
43	3909-004-87	Screw, socket-head cap	2
46	18662-01-4L	Stuffing Box, double seal, 316 SS (for single mechanical seals)	1
	18662-01-39	Stuffing Box, double seal, Hastelloy C (for double mechanical seals)	1

Bearing Assembly includes items 5, 9-26, 36-40.

Recommended Spare Parts: Items 3, 4, 6-9, 28, 29.



Designation : PST-AB**Size: 3 x 1-1/2 x 6****KYNAR****Group 1 Bearing Frame: 1-3/8" @ Seal****Parts List**

Ref #	Part Number	Description	Qty/Pump
1	18444-K1	Casing, Kynar 370	1
2	18443-K1	Cover, back, Kynar 370	1
3	20143-23-K1	Impeller, Kynar 370	1
4	18461-03-72	Seal, casing, Viton	1
	18462-03	Seal, casing, Teflon-covered Viton	1
5	20141-21	Shaft	1
6	19958-K1	Sleeve, shaft, Kynar 370	1
	21209-01-39	Sleeve, shaft, Hastelloy C	1
8	18461-07-72	Seal, sleeve, Viton	1
	18462-03	Seal, sleeve, Teflon-covered Viton	1
9	11171-14	Pin, sleeve drive	1
10	4372-023-21	Key, shaft	1
11	18463-01	Bearing, inboard	1
12	18463-02	Bearing, outboard	2
13	6124-1	Lockwasher, bearing	1
14	6123-1	Locknut, bearing	1
15	18382-01-01	Housing, bearing, cast iron	1
16	18461-04-71	Seal, bearing housing, Buna-N	1
17	18464-01	Ring, bearing retaining	1
18	18425-01-01	Frame, cast iron	1
19	Not required	Support, frame, cast iron	-
20	18465-02	Seal, inboard oil	1
21	18465-01	Seal, outboard oil	1
22	18471	Gauge, sight oil	1
23	8478-6	Oiler assembly	1
24	8505-1	Plug, pipe, 1/8 NPT	1
25	8267-1	Breather	1

Ref #	Part Number	Description	Qty/Pump
26	18422-01-94	Deflector, glass-filled TFE	1
27	18427-01-01	Adaptor, cast iron	1
28	18466-01	Plate, mounting	1
29	3862-72	Stud, mounting plate, 316 SST	4
30	18436-01-4L	Gland, 316L SST	1
	18436-01-39	Gland, Hastelloy C	1
31	18396	Plate, front	1
32	18416-02	Support, casing	1
33	18839-01-01	Flange, split, cast iron	1
34	18841-01-01	Flange, split, cast iron	1
35	3861-105	Screw, hex-head cap, steel	8
	3861-131	Screw, hex-head cap, 316 SST	8
36	3861-090	Screw, hex-head cap	3
37	3861-095	Screw, hex-head cap	3
38	Not required	Screw, hex-head cap	-
39	3861-90	Screw, hex-head cap	4
40	3932-8	Nut, hex	18
41	3932-8	Nut, hex, steel	8
42	3909-004-87	Screw, socket-head cap	2
43	3909-017-87	Screw, socket-head cap	2
46	18662-01-4L	Stuffing Box, double seal, 316 SS (for single mechanical seals)	1
	18662-01-39	Stuffing Box, double seal, Hastelloy C (for double mechanical seals)	1

Bearing Assembly includes items 5, 9-26, 36-40.
Recommended Spare Parts: Items 3, 4, 6-9, 28, 29.



Designation : PST-A50M Size: 3 x 1-1/2 x 9**KYNAR****Group 2 Bearing Frame: 1-7/8" @ Seal****Parts List**

Ref #	Part Number	Description	Qty/Pump
1	18453-K1	Casing, Kynar 370	1
2	20604-K1	Cover, back, Kynar 370	1
3	19949-53-K1	Impeller, Kynar 370	1
4	18461-06-72	Seal, casing, Viton	1
	18462-02	Seal, casing, Teflon-covered Viton	1
5	19834	Shaft	1
6	20244-K1	Sleeve, shaft, Kynar 370	1
	21209-03-39	Sleeve, shaft, Hastelloy C	1
8	18461-10-72	Seal, sleeve, Viton	1
	18462-06	Seal, sleeve, Teflon-covered Viton	1
9	11171-15	Pin, sleeve drive	1
10	4372-2-21	Key, shaft	1
11	18463-03	Bearing, inboard	1
12	18463-04	Bearing, outboard	2
13	6124-2	Lockwasher, bearing	1
14	6123-2	Locknut, bearing	1
15	18383-01-01	Housing, bearing, cast iron	1
16	18461-01-71	Seal, bearing housing, Buna-N	1
17	18464-02	Ring, bearing retaining	1
18	18426-01-01	Frame, cast iron	1
19	18421-01-01	Support, frame, cast iron	1
20	18465-06	Seal, inboard oil	1
21	18465-05	Seal, outboard oil	1
22	18471	Gauge, sight oil	1
23	8478-6	Oiler assembly	1
24	8505-1	Plug, pipe, 1/8 NPT	1
25	8267-1	Breather	1

Ref #	Part Number	Description	Qty/Pump
26	18422-03-94	Deflector, glass-filled TFE	1
27	18430-01-01	Adaptor, cast iron	1
28	18466-02	Plate, mounting	1
29	3862-61	Stud, mounting plate, 316 SST	4
30	18438-01-4L	Gland, 316L SST	1
	18438-01-39	Gland, Hastelloy C	1
31	18413	Plate, front	1
32	18424	Support, casing	1
33	18839-01-01	Flange, split, cast iron	1
34	18841-01-01	Flange, split, cast iron	1
35	3861-106	Screw, hex-head cap, steel	8
	3861-128	Screw, hex-head cap, 316 SST	8
36	3861-091	Screw, hex-head cap	3
37	3861-092	Screw, hex-head cap	3
38	3861-094	Screw, hex-head cap	2
39	3861-104	Screw, hex-head cap	4
40	3932-62	Nut, hex	18
41	3932-18	Nut, hex, steel	8
42	3909-004-87	Screw, socket-head cap	2
43	3909-017-87	Screw, socket-head cap	2
46	18663-01-4L	Stuffing Box, double seal, 316 SS (for single mechanical seals)	1
	18663-01-39	Stuffing Box, double seal, Hastelloy C (for double mechanical seals)	1

Bearing Assembly includes items 5, 9-26, 36-40.

Recommended Spare Parts: Items 3, 4, 6-9, 28, 29.



Designation : PST-A50L Size: 3 x 1-1/2 x 9**KYNAR****Group 3 Bearing Frame: 2-1/4" @ Seal****Parts List**

Ref #	Part Number	Description	Qty/Pump
1	18453-K1	Casing, Kynar 370	1
2	18452-K1	Cover, back, Kynar 370	1
3	19943-53-K1	Impeller, Kynar 370	1
4	18461-06-72	Seal, casing, Viton	1
	18462-02	Seal, casing, Teflon-covered Viton	1
5	19835	Shaft	1
6	20245-K1	Sleeve, shaft, Kynar 370	1
	21209-02-39	Sleeve, shaft, Hastelloy C	1
8	18461-11-72	Seal, sleeve, Viton	1
	18462-12	Seal, sleeve, Teflon-covered Viton	1
9	11171-16	Pin, sleeve drive	1
10	4372-2-21	Key, shaft	1
11	18463-05	Bearing, inboard	1
12	18463-06	Bearing, outboard	2
13	6124-5	Lockwasher, bearing	1
14	6123-5	Locknut, bearing	1
15	18384-01-01	Housing, bearing, cast iron	1
16	18461-01-71	Seal, bearing housing, Buna-N	1
17	18464-03	Ring, bearing retaining	1
18	18426-02-01	Frame, cast iron	1
19	18421-01-01	Support, frame, cast iron	1
20	18465-04	Seal, inboard oil	1
21	18465-08	Seal, outboard oil	1
22	18471	Gauge, sight oil	1
23	8478-6	Oiler assembly	1
24	8505-1	Plug, pipe, 1/8 NPT	1
25	8267-1	Breather	1

Ref #	Part Number	Description	Qty/Pump
26	18422-02-94	Deflector, glass-filled TFE	1
27	18430-01-01	Adaptor, cast iron	1
28	18466-02	Plate, mounting	1
29	3862-61	Stud, mounting plate, 316 SST	4
30	18437-01-4L	Gland, 316L SST	1
	18437-01-39	Gland, Hastelloy C	1
31	18413	Plate, front	1
32	18424	Support, casing	1
33	18839-01-01	Flange, split, cast iron	1
34	18841-01-01	Flange, split, cast iron	1
35	3861-106	Screw, hex-head cap, steel	8
	3861-128	Screw, hex-head cap, 316 SST	8
36	3861-091	Screw, hex-head cap	3
37	3861-092	Screw, hex-head cap	3
38	3861-094	Screw, hex-head cap	2
39	3861-104	Screw, hex-head cap	4
40	3932-62	Nut, hex	18
41	3932-18	Nut, hex, steel	8
42	3909-004-87	Screw, socket-head cap	2
43	3909-017-87	Screw, socket-head cap	2
46	18664-01-4L	Stuffing Box, double seal, 316 SS (for single mechanical seals)	1
	18664-01-39	Stuffing Box, double seal, Hastelloy C (for double mechanical seals)	1

Bearing Assembly includes items 5, 9-26, 36-40.

Recommended Spare Parts: Items 3, 4, 6-9, 28, 29.



Designation : PST-A60M Size: 3 x 2 x 9**KYNAR****Group 2 Bearing Frame: 1-7/8" @ Seal****Parts List**

Ref #	Part Number	Description	Qty/Pump
1	18456-K1	Casing, Kynar 370	1
2	20605-K1	Cover, back, Kynar 370	1
3	19944-53-K1	Impeller, Kynar 370	1
	23449-53-K1	MTM Impeller, Kynar 370	1
4	18461-09-72	Seal, casing, Viton	1
	18462-09	Seal, casing, Teflon-covered Viton	1
5	19834	Shaft	1
6	20244-K1	Sleeve, shaft, Kynar 370	1
	23448-K1	MTM Sleeve, shaft, Kynar 370	1
	21209-03-39	Sleeve, shaft, Hastelloy C	1
8	18461-10-72	Seal, sleeve, Viton	1
	18461-16-72	MTM Seal, sleeve, Viton	1
	18462-06	Seal, sleeve, Teflon-covered Viton	1
9	11171-15	Pin, sleeve drive	1
10	4372-2-21	Key, shaft	1
11	18463-03	Bearing, inboard	1
12	18463-04	Bearing, outboard	2
13	6124-2	Lockwasher, bearing	1
14	6123-2	Locknut, bearing	1
15	18383-01-01	Housing, bearing, cast iron	1
16	18461-01-71	Seal, bearing housing, Buna-N	1
17	18464-02	Ring, bearing retaining	1
18	18426-01-01	Frame, cast iron	1
19	18421-01-01	Support, frame, cast iron	1
20	18465-06	Seal, inboard oil	1
21	18465-05	Seal, outboard oil	1
22	18471	Gauge, sight oil	1
23	8478-6	Oiler assembly	1
24	8505-1	Plug, pipe, 1/8 NPT	1
25	8267-1	Breather	1

Ref #	Part Number	Description	Qty/Pump
26	18422-03-94	Deflector, glass-filled TFE	1
27	18431-01-01	Adaptor, cast iron	1
28	18466-02	Plate, mounting	1
29	3862-61	Stud, mounting plate, 316 SST	4
30	18438-01-4L	Gland, 316L SST	1
	18438-01-39	Gland, Hastelloy C	1
31	18414	Plate, front	1
32	18418	Support, casing	1
33	18840-01-01	Flange, split, cast iron	1
34	18841-01-01	Flange, split, cast iron	1
35	3861-107	Screw, hex-head cap, steel	8
	3861-129	Screw, hex-head cap, 316 SST	8
36	3861-091	Screw, hex-head cap	3
37	3861-092	Screw, hex-head cap	3
38	3861-094	Screw, hex-head cap	2
39	3861-104	Screw, hex-head cap	4
40	3932-62	Nut, hex	18
41	3932-18	Nut, hex, steel	8
42	3909-004-87	Screw, socket-head cap	2
43	3909-017-87	Screw, socket-head cap	2
46	18663-01-4L	Stuffing Box, double seal, 316 SS (for single mechanical seals)	1
	18663-01-39	Stuffing Box, double seal, Hastelloy C (for double mechanical seals)	1

Bearing Assembly includes items 5, 9-26, 36-40.

Recommended Spare Parts: Items 3, 4, 6-9, 28, 29.



Designation : PST-A60L Size: 3 x 2 x 9**KYNAR****Group 3 Bearing Frame: 2-1/4" @ Seal****Parts List**

Ref #	Part Number	Description	Qty/Pump
1	18456-K1	Casing, Kynar 370	1
2	18455-K1	Cover, back, Kynar 370	1
3	19948-53-K1	Impeller, Kynar 370	1
4	18461-09-72	Seal, casing, Viton	1
	18462-09	Seal, casing, Teflon-covered Viton	1
5	19835	Shaft	1
6	20245-K1	Sleeve, shaft, Kynar 370	1
	21209-02-39	Sleeve, shaft, Hastelloy C	1
8	18461-11-72	Seal, sleeve, Viton	1
	18462-12	Seal, sleeve, Teflon-covered Viton	1
9	11171-16	Pin, sleeve drive	1
10	4372-2-21	Key, shaft	1
11	18463-05	Bearing, inboard	1
12	18463-06	Bearing, outboard	2
13	6124-5	Lockwasher, bearing	1
14	6123-5	Locknut, bearing	1
15	18384-01-01	Housing, bearing, cast iron	1
16	18461-01-71	Seal, bearing housing, Buna-N	1
17	18464-03	Ring, bearing retaining	1
18	18426-02-01	Frame, cast iron	1
19	18421-01-01	Support, frame, cast iron	1
20	18465-04	Seal, inboard oil	1
21	18465-08	Seal, outboard oil	1
22	18471	Gauge, sight oil	1
23	8478-6	Oiler assembly	1
24	8505-1	Plug, pipe, 1/8 NPT	1
25	8267-1	Breather	1

Ref #	Part Number	Description	Qty/Pump
26	18422-02-94	Deflector, glass-filled TFE	1
27	18431-01-01	Adaptor, cast iron	1
28	18466-02	Plate, mounting	1
29	3862-61	Stud, mounting plate, 316 SST	4
30	18437-01-4L	Gland, 316L SST	1
	18437-01-39	Gland, Hastelloy C	1
31	18414	Plate, front	1
32	18418	Support, casing	1
33	18840-01-01	Flange, split, cast iron	1
34	18841-01-01	Flange, split, cast iron	1
35	3861-107	Screw, hex-head cap, steel	8
	3861-129	Screw, hex-head cap, 316 SST	8
36	3861-091	Screw, hex-head cap	3
37	3861-092	Screw, hex-head cap	3
38	3861-094	Screw, hex-head cap	2
39	3861-104	Screw, hex-head cap	4
40	3932-62	Nut, hex	18
41	3932-18	Nut, hex, steel	8
42	3909-004-87	Screw, socket-head cap	2
43	3909-017-87	Screw, socket-head cap	2
46	18664-01-4L	Stuffing Box, double seal, 316 SS (for single mechanical seals)	1
	18664-01-39	Stuffing Box, double seal, Hastelloy C (for double mechanical seals)	1

Bearing Assembly includes items 5, 9-26, 36-40.
Recommended Spare Parts: Items 3, 4, 6-9, 28, 29.



Designation : PST-A70M Size: 4 x 3 x 9**KYNAR****Group 2 Bearing Frame: 1-7/8" @ Seal****Parts List**

Ref #	Part Number	Description	Qty/Pump
1	18459-K1	Casing, Kynar 370	1
2	20606-K1	Cover, back, Kynar 370	1
3	19942-53-K1	Impeller, Kynar 370	1
4	18461-09-72	Seal, casing, Viton	1
	18462-10	Seal, casing, Teflon-covered Viton	1
5	19834	Shaft	1
6	20244-K1	Sleeve, shaft, Kynar 370	1
	21209-03-39	Sleeve, shaft, Hastelloy C	1
8	18461-10-72	Seal, sleeve, Viton	1
	18462-06	Seal, sleeve, Teflon-covered Viton	1
9	11171-15	Pin, sleeve drive	1
10	4372-2-21	Key, shaft	1
11	18463-03	Bearing, inboard	1
12	18463-04	Bearing, outboard	2
13	6124-2	Lockwasher, bearing	1
14	6123-2	Locknut, bearing	1
15	18383-01-01	Housing, bearing, cast iron	1
16	18461-01-71	Seal, bearing housing, Buna-N	1
17	18464-02	Ring, bearing retaining	1
18	18426-01-01	Frame, cast iron	1
19	18421-01-01	Support, frame, cast iron	1
20	18465-06	Seal, inboard oil	1
21	18465-05	Seal, outboard oil	1
22	18471	Gauge, sight oil	1
23	8478-6	Oiler assembly	1
24	8505-1	Plug, pipe, 1/8 NPT	1
25	8267-1	Breather	1

Ref #	Part Number	Description	Qty/Pump
26	18422-03-94	Deflector, glass-filled TFE	1
27	18432-01-01	Adaptor, cast iron	1
28	18466-02	Plate, mounting	1
29	3862-61	Stud, mounting plate, 316 SST	4
30	18438-01-4L	Gland, 316L SST	1
	18438-01-39	Gland, Hastelloy C	1
31	18415	Plate, front	1
32	18419	Support, casing	1
33	18841-01-01	Flange, split, cast iron	1
34	18660-01-01	Flange, split, cast iron	1
35	3861-108	Screw, hex-head cap, steel	8
	3861-127	Screw, hex-head cap, 316 SST	8
36	3861-091	Screw, hex-head cap	3
37	3861-092	Screw, hex-head cap	3
38	3861-094	Screw, hex-head cap	2
39	3861-104	Screw, hex-head cap	4
40	3932-62	Nut, hex	18
41	3932-18	Nut, hex, steel	8
42	3909-017-87	Screw, socket-head cap	2
43	3909-017-87	Screw, socket-head cap	2
46	18663-01-4L	Stuffing Box, double seal, 316 SS (for single mechanical seals)	1
	18663-01-39	Stuffing Box, double seal, Hastelloy C (for double mechanical seals)	1

Bearing Assembly includes items 5, 9-26, 36-40.

Recommended Spare Parts: Items 3, 4, 6-9, 28, 29.



Designation : PST-A70L Size: 4 x 3 x 9**KYNAR****Group 3 Bearing Frame: 2-1/4" @ Seal****Parts List**

Ref #	Part Number	Description	Qty/Pump
1	18459-K1	Casing, Kynar 370	1
2	18458-K1	Cover, back, Kynar 370	1
3	19945-53-K1	Impeller, Kynar 370	1
4	18461-09-72	Seal, casing, Viton	1
	18462-10	Seal, casing, Teflon-covered Viton	1
5	19835	Shaft	1
6	20245-K1	Sleeve, shaft, Kynar 370	1
	21209-02-39	Sleeve, shaft, Hastelloy C	1
8	18461-11-72	Seal, sleeve, Viton	1
	18462-12	Seal, sleeve, Teflon-covered Viton	1
9	11171-16	Pin, sleeve drive	1
10	4372-2-21	Key, shaft	1
11	18463-05	Bearing, inboard	1
12	18463-06	Bearing, outboard	2
13	6124-5	Lockwasher, bearing	1
14	6123-5	Locknut, bearing	1
15	18384-01-01	Housing, bearing, cast iron	1
16	18461-01-71	Seal, bearing housing, Buna-N	1
17	18464-03	Ring, bearing retaining	1
18	18426-02-01	Frame, cast iron	1
19	18421-01-01	Support, frame, cast iron	1
20	18465-04	Seal, inboard oil	1
21	18465-08	Seal, outboard oil	1
22	18471	Gauge, sight oil	1
23	8478-6	Oiler assembly	1
24	8505-1	Plug, pipe, 1/8 NPT	1
25	8267-1	Breather	1

Ref #	Part Number	Description	Qty/Pump
26	18422-02-94	Deflector, glass-filled TFE	1
27	18432-01-01	Adaptor, cast iron	1
28	18466-02	Plate, mounting	1
29	3862-61	Stud, mounting plate, 316 SST	4
30	18437-01-4L	Gland, 316L SST	1
	18437-01-39	Gland, Hastelloy C	1
31	18415	Plate, front	1
32	18419	Support, casing	1
33	18841-01-01	Flange, split, cast iron	1
34	18860-01-01	Flange, split, cast iron	1
35	3861-108	Screw, hex-head cap, steel	8
	3861-127	Screw, hex-head cap, 316 SST	8
36	3861-091	Screw, hex-head cap	3
37	3861-092	Screw, hex-head cap	3
38	3861-094	Screw, hex-head cap	2
39	3861-104	Screw, hex-head cap	4
40	3932-62	Nut, hex	18
41	3932-18	Nut, hex, steel	8
42	3909-017-87	Screw, socket-head cap	2
43	3909-017-87	Screw, socket-head cap	2
46	18664-01-4L	Stuffing Box, double seal, 316 SS (for single mechanical seals)	1
	18664-01-39	Stuffing Box, double seal, Hastelloy C (for double mechanical seals)	1

Bearing Assembly includes items 5, 9-26, 36-40.

Recommended Spare Parts: Items 3, 4, 6-9, 28, 29.



Designation : PST-A30 Size: 3 x 2 x 12**KYNAR****Group 2 Bearing Frame: 1-7/8" @ Seal****Parts List**

Ref #	Part Number	Description	Qty/Pump
	18447-K1	Casing, Kynar 370	1
2	20602-K1	Cover, back, Kynar 370	1
3	19944-83-K1	Impeller, Kynar 370	1
	23449-83-K1	MTM Impeller, Kynar 370	1
4	18461-05-72	Seal, casing, Viton	1
	18462-11	Seal, casing, Teflon-covered Viton	1
5	19834	Shaft	1
6	20244-K1	Sleeve, shaft, Kynar 370	1
	23448-K1	MTM Sleeve, shaft, Kynar 370	1
	21209-03-39	Sleeve, shaft, Hastelloy C	1
8	18461-10-72	Seal, sleeve, Viton	1
	18461-16-72	MTM Seal, sleeve, Viton	1
	18462-06	Seal, sleeve, Teflon-covered Viton	1
9	11171-15	Pin, sleeve drive	1
10	4372-2-21	Key, shaft	1
11	18463-03	Bearing, inboard	1
12	18463-04	Bearing, outboard	2
13	6124-2	Lockwasher, bearing	1
14	6123-2	Locknut, bearing	1
15	18383-01-01	Housing, bearing, cast iron	1
16	18461-01-71	Seal, bearing housing, Buna-N	1
17	18464-02	Ring, bearing retaining	1
18	18426-01-01	Frame, cast iron	1
19	18420-01-01	Support, frame, cast iron	1
20	18465-06	Seal, inboard oil	1
21	18465-05	Seal, outboard oil	1
22	18471	Gauge, sight oil	1
23	8478-6	Oiler assembly	1
24	8505-1	Plug, pipe, 1/8 NPT	1
25	8267-1	Breather	1

Ref #	Part Number	Description	Qty/Pump
26	18422-03-94	Deflector, glass-filled TFE	1
27	18428-01-01	Adaptor, cast iron	1
28	18466-02	Plate, mounting	1
29	3862-61	Stud, mounting plate, 316 SST	4
30	18438-01-4L	Gland, 316L SST	1
	18438-01-39	Gland, Hastelloy C	1
31	18411	Plate, front	1
32	18417-02	Support, casing	1
33	18840-01-01	Flange, split, cast iron	1
34	18841-01-01	Flange, split, cast iron	1
35	3861-058	Screw, hex-head cap, steel	8
	3861-126	Screw, hex-head cap, 316 SST	8
36	3861-091	Screw, hex-head cap	3
37	3861-092	Screw, hex-head cap	3
38	3861-094	Screw, hex-head cap	2
39	3861-104	Screw, hex-head cap	4
40	3932-62	Nut, hex	18
41	3932-18	Nut, hex, steel	8
42	3909-004-87	Screw, socket-head cap	2
43	3909-017-87	Screw, socket-head cap	2
46	18663-01-4L	Stuffing Box, double seal, 316 SS (for single mechanical seals)	1
	18663-01-39	Stuffing Box, double seal, Hastelloy C (for double mechanical seals)	1

Bearing Assembly includes items 5, 9-26, 36-40.

Recommended Spare Parts: Items 3, 4, 6-9, 28, 29.



Designation : PST-A40 Size: 4 x 3 x 12**KYNAR****Group 2 Bearing Frame: 1-7/8" @ Seal****Parts List**

Ref #	Part Number	Description	Qty/Pump
1	18450-K1	Casing, Kynar 370	1
2	20603-K1	Cover, back, Kynar 370	1
3	19942-83-K1	Impeller, Kynar 370	1
	23450-83-K1	MTM Impeller, Kynar 370	1
4	18461-05-72	Seal, casing, Viton	1
	18462-05	Seal, casing, Teflon-covered Viton	1
5	19834	Shaft	1
6	20244-K1	Sleeve, shaft, Kynar 370	1
	23448-K1	Sleeve, shaft, Kynar 370	1
	21209-03-39	Sleeve, shaft, Hastelloy C	1
8	18461-10-72	Seal, sleeve, Viton	1
	18461-16-72	Seal, sleeve, Viton	1
	18462-06	Seal, sleeve, Teflon-covered Viton	1
9	11171-15	Pin, sleeve drive	1
10	4372-2-21	Key, shaft	1
11	18463-03	Bearing, inboard	1
12	18463-04	Bearing, outboard	2
13	6124-2	Lockwasher, bearing	1
14	6123-2	Locknut, bearing	1
15	18383-01-01	Housing, bearing, cast iron	1
16	18461-01-71	Seal, bearing housing, Buna-N	1
17	18464-02	Ring, bearing retaining	1
18	18426-01-01	Frame, cast iron	1
19	18420-01-01	Support, frame, cast iron	1
20	18465-06	Seal, inboard oil	1
21	18465-05	Seal, outboard oil	1
22	18471	Gauge, sight oil	1
23	8478-6	Oiler assembly	1
24	8505-1	Plug, pipe, 1/8 NPT	1
25	8267-1	Breather	1

Ref #	Part Number	Description	Qty/Pump
26	18422-03-94	Deflector, glass-filled TFE	1
27	18429-01-01	Adaptor, cast iron	1
28	18466-02	Plate, mounting	1
29	3862-61	Stud, mounting plate, 316 SST	4
30	18438-01-4L	Gland, 316L SST	1
	18438-01-39	Gland, Hastelloy C	1
31	18412	Plate, front	1
32	18417-01	Support, casing	1
33	18841-01-01	Flange, split, cast iron	1
34	18860-01-01	Flange, split, cast iron	1
35	3861-108	Screw, hex-head cap, steel	8
	3861-127	Screw, hex-head cap, 316 SST	8
36	3861-091	Screw, hex-head cap	3
37	3861-092	Screw, hex-head cap	3
38	3861-094	Screw, hex-head cap	2
39	3861-104	Screw, hex-head cap	4
40	3932-62	Nut, hex	18
41	3932-18	Nut, hex, steel	8
42	3909-017-87	Screw, socket-head cap	2
43	3909-017-87	Screw, socket-head cap	2
46	18663-01-4L	Stuffing Box, double seal, 316 SS (for single mechanical seals)	1
	18663-01-39	Stuffing Box, double seal, Hastelloy C (for double mechanical seals)	1

Bearing Assembly includes items 5, 9-26, 36-40.

Recommended Spare Parts: Items 3, 4, 6-9, 28, 29.



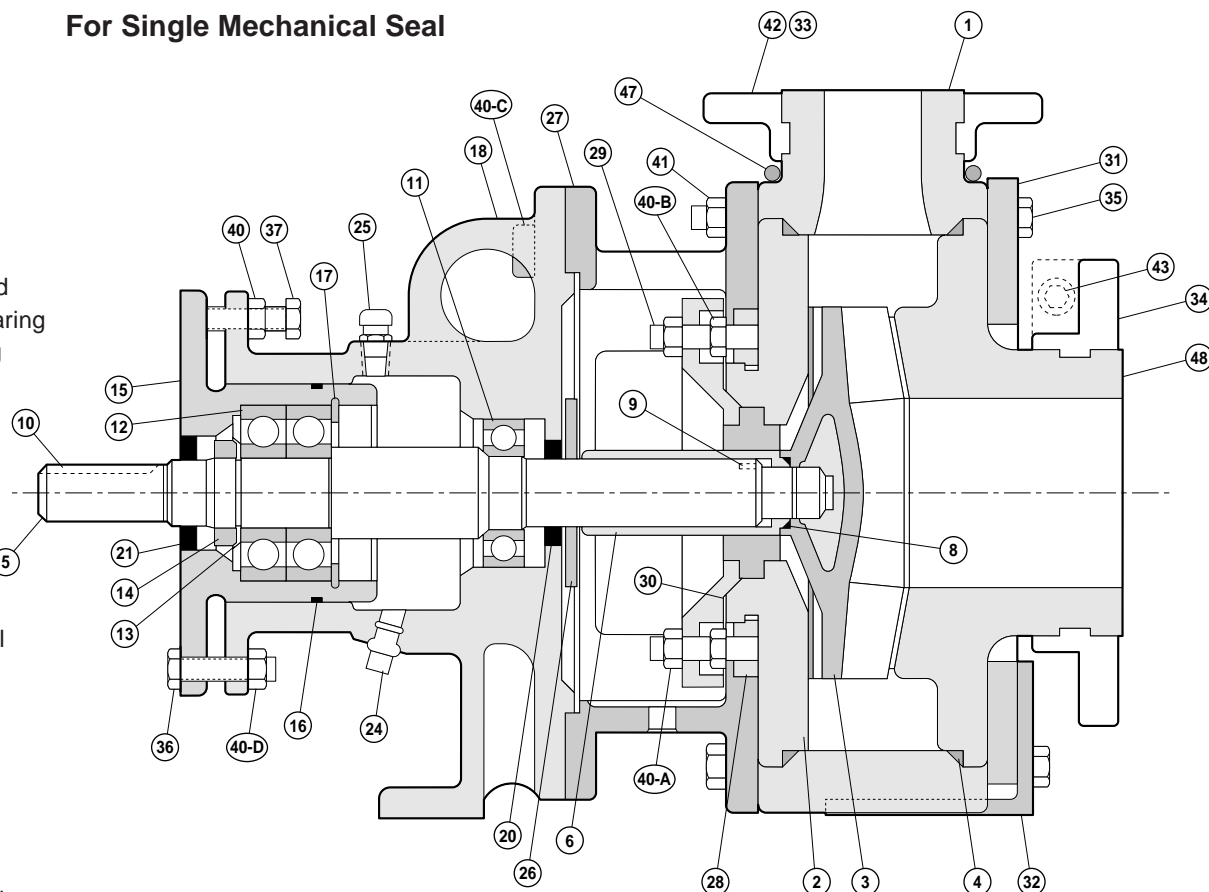
Part Reference Number Identification

TEFLON

- 1 Casing
 - 2 Cover, back
 - 3 Impeller
 - 4 Seal, casing
 - 5 Shaft
 - 6 Sleeve, shaft
 - 8 Seal, sleeve
 - 9 Pin, sleeve drive
 - 10 Key, shaft
 - 11 Bearing, inboard
 - 12 Bearing, outboard
 - 13 Lock washer, bearing
 - 14 Lock nut, bearing
 - 15 Housing, bearing
 - 16 Seal, bearing housing
 - 17 Ring, bearing retaining
 - 18 Frame
 - Support, frame
 - 20 Seal, inboard oil
 - 21 Seal, outboard oil
 - Gauge, sight oil
 - Oiler assembly
 - 24 Plug, pipe
 - 25 Breather
 - 26 Deflector
 - 27 Adaptor
 - 28 Plate, Mounting
 - 29 Stud, mounting plate
 - 30 Gland
 - 31 Plate, front
 - 32 Support, casing
 - 33 Flange, split
 - 34 Flange, split
 - 35 Screw, hex-head cap
 - 36 Screw, hex-head cap
 - 37 Screw, hex-head cap
 - Screw, hex-head cap
 - 40 Nut, hex
 - 41 Nut, Hex
 - 42 Screw, socket-head cap
 - 43 Screw, socket-head cap
 - 46 Stuffing box
 - 47 Clamp assembly, casing
 - 48 Cover, front
- Not Illustrated

Teflon Pump with Gland

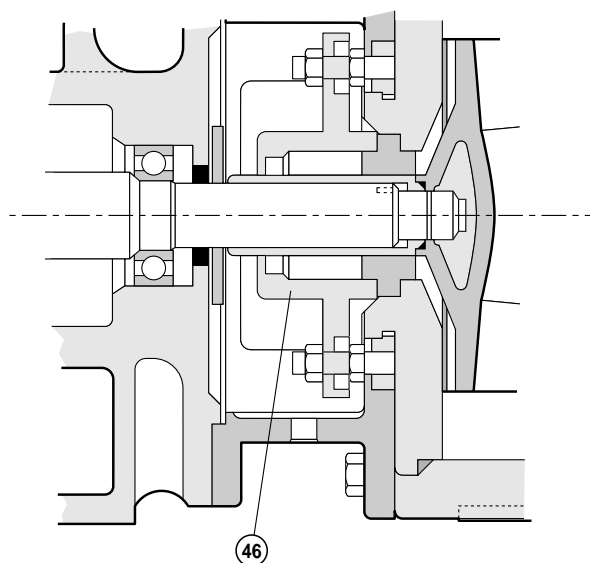
For Single Mechanical Seal



Teflon Pump with Stuffing Box

For Double Mechanical Seal

(Other parts are the same as above)



Designation : PST-AB-TFE Size: 3 x 1-1/2 x 6**TEFLON****Group 1 Bearing Frame: 1-1/2" @ Seal****Parts List**

Ref #	Part Number	Description	Qty/Pump
1	20945-F6	Casing, Fluoromaroon E-250	1
2	20946-01-F6	Cover, back, Fluoromaroon E-250	1
3	20947-23-F6	Impeller, Fluoromaroon E-250	1
4	18462-08	Seal, casing, FEP/Viton	2
5	20141	Shaft	1
6	20948-F6	Sleeve, shaft, Fluoromaroon E-250	1
8	18462-03	Seal, sleeve, FEP/Viton	1
9	11171-14	Pin, sleeve drive	1
10	4372-23-21	Key, shaft	1
11	18463-01	Bearing, inboard	1
12	18463-02	Bearing, outboard	2
13	6124-1	Lockwasher, bearing	1
14	6123-1	Locknut, bearing	1
15	18382-01-01	Housing, bearing, cast iron	1
16	18461-04-71	Seal, bearing housing, Buna-N	1
17	18464-01	Ring, bearing retaining	1
18	18425-01-01	Frame, cast iron	1
19	Not required	Support, frame, cast iron	-
20	18465-02	Seal, inboard oil	1
21	18465-01	Seal, outboard oil	1
22	18471	Gauge, sight oil	1
23	8478-6	Oiler assembly	1
24	8505-1	Plug, pipe, 1/8 NPT	1
25	8267-1	Breather	1

Ref #	Part Number	Description	Qty/Pump
26	18422-01-94	Deflector, glass-filled TFE	1
27	18427-01-01	Adaptor, cast iron	1
28	18466-01	Plate, mounting	1
29	3862-72	Stud, mounting plate, 316 SST	4
30	18436-02-4L	Gland, 316L SST	1
	18436-02-39	Gland, Hastelloy C	1
31	18396	Plate, front	1
32	20957-02	Support, casing	1
33	18839-01-01	Flange, split, cast iron	1
34	18841-01-01	Flange, split, cast iron	1
35	3861-105	Screw, hex-head cap	8
36	3861-090	Screw, hex-head cap	3
37	3861-095	Screw, hex-head cap	3
38	Not required	Screw, hex-head cap	-
39	3861-090	Screw, hex-head cap	4
40	3932-8	Nut, hex	18
41	3932-8	Nut, hex	8
42	3909-004-87	Screw, socket-head cap	2
43	3909-017-87	Screw, socket-head cap	2
46	18662-02-4L	Stuffing Box, double seal, 316 SS (for single outside mechanical seals)	1
	18662-02-39	Stuffing Box, double seal, Hastelloy C (for double inside mechanical seals)	1
47	21213-01	Clamp assembly, casing	1
58	20944-F6	Cover, front, Fluoromaroon E-250	1

Recommended Spare Parts: Items 3, 4, 6-9, 28, 29



Designation : PST-A50M-TFE Size: 3 x 1-1/2 x 9**TEFLON****Group 2 Bearing Frame: 2" @ Seal****Parts List**

Ref #	Part Number	Description	Qty/Pump
1	21455-F6	Casing, Fluoromaroon E-250	1
2	21628-F6	Cover, back, Fluoromaroon E-250	1
3	21627-53-F6	Impeller, Fluoromaroon E-250	1
4	18462-02	Seal, casing, FEP/Viton	2
5	19834	Shaft	1
6	21626-F6	Sleeve, shaft, Fluoromaroon E-250	1
8	18462-06	Seal, sleeve, FEP/Viton	1
9	11171-15	Pin, sleeve drive	1
10	4372-2-21	Key, shaft	1
11	18463-03	Bearing, inboard	1
12	18463-04	Bearing, outboard	2
13	6124-2	Lockwasher, bearing	1
14	6123-2	Locknut, bearing	1
15	18383-01-01	Housing, bearing, cast iron	1
16	18461-01-71	Seal, bearing housing, Buna-N	1
17	18464-02	Ring, bearing retaining	1
18	18426-01-01	Frame, cast iron	1
19	18421-01-01	Support, frame, cast iron	1
20	18465-06	Seal, inboard oil	1
21	18465-05	Seal, outboard oil	1
22	18471	Gauge, sight oil	1
23	8478-6	Oiler assembly	1
24	8505-1	Plug, pipe, 1/8 NPT	1
25	8267-1	Breather	1

Ref #	Part Number	Description	Qty/Pump
26	18422-03-94	Deflector, glass-filled TFE	1
27	18430-01-01	Adaptor, cast iron	1
28	18466-02	Plate, mounting	1
29	3862-61	Stud, mounting plate, 316 SST	4
30	18438-02-4L	Gland, 316L SST	1
	18438-02-39	Gland, Hastelloy C	1
31	18413	Plate, front	1
32	18424	Support, casing	1
33	18839-01-01	Flange, split, cast iron	1
34	18841-01-01	Flange, split, cast iron	1
35	3861-106	Screw, hex-head cap	8
36	3861-091	Screw, hex-head cap	3
37	3861-092	Screw, hex-head cap	3
38	3861-094	Screw, hex-head cap	2
39	3861-104	Screw, hex-head cap	4
40	3932-62	Nut, hex	18
41	3932-18	Nut, hex	8
42	3909-004-87	Screw, socket-head cap	2
43	3909-017-87	Screw, socket-head cap	2
46	18663-02-4L	Stuffing Box, double seal, 316 SS (for single outside mechanical seals)	1
	18663-02-39	Stuffing Box, double seal, Hastelloy C (for double inside mechanical seals)	1
47	21213-03	Clamp assembly, casing	1
58	21454-F6	Cover, front, Fluoromaroon E-250	1

Recommended Spare Parts: Items 3, 4, 6-9, 28, 29



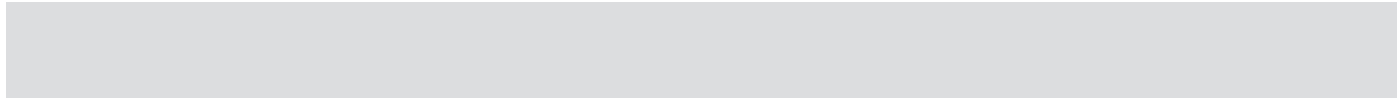
Designation : PST-A70M-TFE Size: 4 x 3 x 9**TEFLON****Group 2 Bearing Frame: 2" @ Seal****Parts List**

Ref #	Part Number	Description	Qty/Pump
1	21237-F6	Casing, Fluoromaroon E-250	1
2	21227-F6	Cover, back, Fluoromaroon E-250	1
3	21239-53-F6	Impeller, Fluoromaroon E-250	1
4	18462-10	Seal, casing, FEP/Viton	2
5	19834	Shaft	1
6	21626-F6	Sleeve, shaft, Fluoromaroon E-250	1
8	18462-06	Seal, sleeve, FEP/Viton	1
9	11171-15	Pin, sleeve drive	1
10	4372-2-21	Key, shaft	1
11	18463-03	Bearing, inboard	1
12	18463-04	Bearing, outboard	2
13	6124-2	Lockwasher, bearing	1
14	6123-2	Locknut, bearing	1
15	18383-01-01	Housing, bearing, cast iron	1
16	18461-01-71	Seal, bearing housing, Buna-N	1
17	18464-02	Ring, bearing retaining	1
18	18426-01-01	Frame, cast iron	1
19	18421-01-01	Support, frame, cast iron	1
20	18465-06	Seal, inboard oil	1
21	18465-05	Seal, outboard oil	1
22	18471	Gauge, sight oil	1
23	8478-6	Oiler assembly	1
24	8505-1	Plug, pipe, 1/8 NPT	1
25	8267-1	Breather	1

Ref #	Part Number	Description	Qty/Pump
26	18422-03-94	Deflector, glass-filled TFE	1
27	18430-01-01	Adaptor, cast iron	1
28	18466-02	Plate, mounting	1
29	3862-61	Stud, mounting plate, 316 SST	4
30	18438-02-4L	Gland, 316L SST	1
	18438-02-39	Gland, Hastelloy C	1
31	18415	Plate, front	1
32	18419	Support, casing	1
33	18841-01-01	Flange, split, cast iron	1
34	18660-01-01	Flange, split, cast iron	1
35	3861-108	Screw, hex-head cap	8
36	3861-091	Screw, hex-head cap	3
37	3861-092	Screw, hex-head cap	3
38	3861-094	Screw, hex-head cap	2
39	3861-104	Screw, hex-head cap	4
40	3932-62	Nut, hex	18
41	3932-18	Nut, hex	8
42	3909-017-87	Screw, socket-head cap	2
43	3909-017-87	Screw, socket-head cap	2
46	18663-02-4L	Stuffing Box, double seal, 316 SS (for single outside mechanical seals)	1
	18663-02-39	Stuffing Box, double seal, Hastelloy C (for double inside mechanical seals)	1
47	21213-04	Clamp assembly, casing	1
58	21228-F6	Cover, front, Fluoromaroon E-250	1

Recommended Spare Parts: Items 3, 4, 6-9, 28, 29





Limited Warranty

Wanner Engineering, Inc. extends to the original purchaser of equipment manufactured by it and bearing its name, a limited one-year warranty from the date of purchase against defects in material or workmanship, provided that the equipment is installed and operated in accordance with the recommendations and instructions of Wanner Engineering, Inc. Wanner Engineering, Inc. will repair or replace, at its option, defective parts without charge if such parts are returned with transportation charges prepaid to Wanner Engineering, Inc., 1204 Chestnut Avenue, Minneapolis, Minnesota 55403.

This warranty does not cover:

1. The electric motors (if any), which are covered by the separate warranties of the manufacturers of these components.
2. Normal wear and/or damage caused by or related to abrasion, corrosion, abuse, negligence, accident, faulty installation or tampering in a manner which impairs normal operation.
3. Transportation costs.

This limited warranty is exclusive, and is in lieu of any other warranties (express or implied) including warranty of merchantability or warranty of fitness for a particular purpose and of any noncontractual liabilities including product liabilities based on negligence or strict liability. Every form of liability for direct, special, incidental or consequential damages or loss is expressly excluded and denied.





WANNER ENGINEERING, INC.

1204 Chestnut Avenue, Minneapolis, MN 55403
TEL: (612) 332-5681 FAX: (612) 332-6937
TOLL-FREE FAX [US only]: (800) 332-6812

www.stancorpump.com
email: sales@wannereng.com